

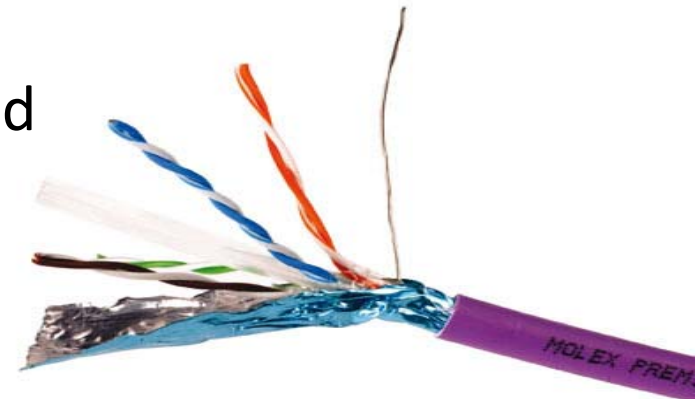
Wireless Broadband Infrastructure Overview

September 16, 2015
Council Meeting



Background

- South Shore Community Broadband/Georgina Connects (SSCB) was incorporated 2003 as a not-for-profit organization with public and private partners.
- August 30, 2013 the Town of Georgina acquired the assets of SSCB.



SSCB

- SSCB successfully leveraged the dedicated efforts of volunteer board members, government grants, community-driven services-in-kind contributions and substantial Town of Georgina financial support.
- SSCB constructed a robust broadband infrastructure that now provides access to high-speed broadband internet services to a traditionally under-serviced geographic area of the community.



Infrastructure

- 7 primary and 6 secondary connection points; 5 roof mount tripods, wall mount standoffs and consumer grade TV antennas that distribute the main backhaul signal to the “last mile” network.
- Redundant wireless backhaul “ring” with dynamic routing capabilities (Civic Centre, Belhaven, Jackson’s Point, Island Grove, Little Hell’s Hill).
- “Last mile” (client connections) use a variety of technologies.

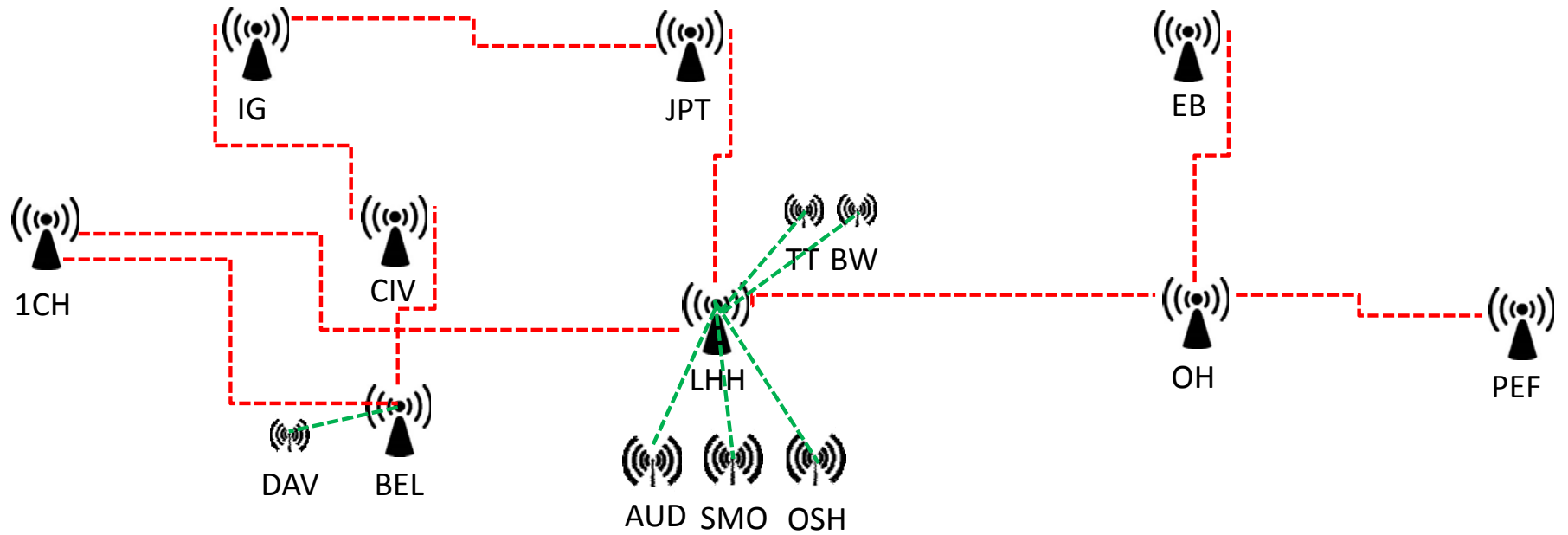


Infrastructure

- Synchronous wireless connectivity (last mile bandwidth 3Mb/s to 300Mb/s).
- Infrastructure using unlicensed radio spectrum (i.e. frequency ranges 900MHz (902-928), 2.4GHz, 5.3GHz, 5.8GHz, 24GHz, above 60GHz). Recently registered with Industry Canada for 3.65GHz access. Currently researching licensing options.
- Internet Service Provider gateway is 200Mb/s fibre that is scalable to 1Gb/s.



Map of Towers



Coverage

- General servicing coverage is approximately 250 (out of total 290) square-kilometres of the Town of Georgina. The service is available to the rural, under-serviced areas of the community.



Customers

- There are currently 270 customers benefiting from the infrastructure (25 commercial, 245 residential).
- Town of Georgina is the largest customer with 10 buildings directly connected and an additional 9 buildings indirectly connected to infrastructure. 4 additional buildings using other third-party solutions (19 out of 23).

Connectivity Infrastructure

Partnerships & Contracts

- Bell Canada/Mobility
- Rogers Cable
- Telus
- York Telecomm Network
- Third Party

Town Owned/Operated

- Civic Centre Campus
- Former SSCB Assets
- Virtual Private Network

